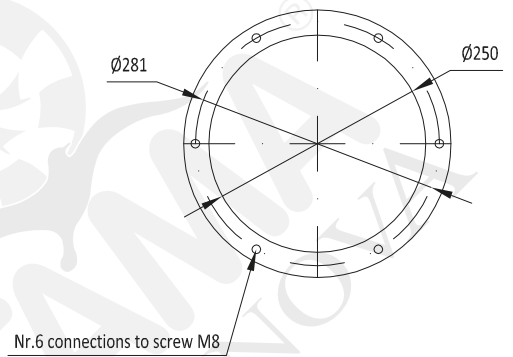
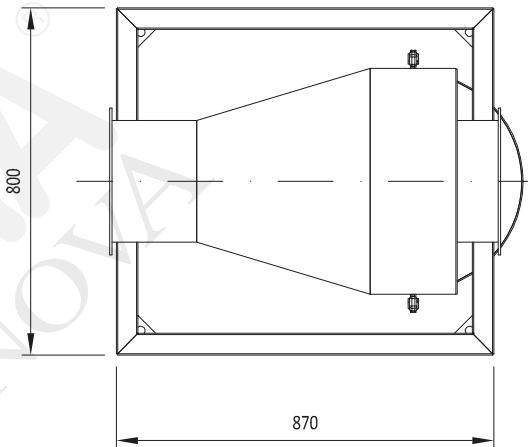
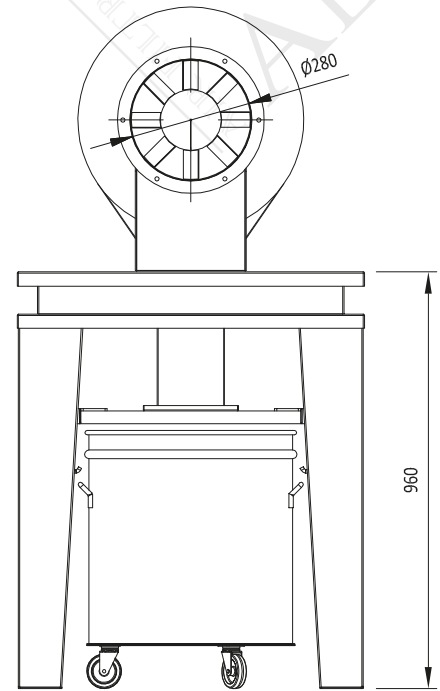
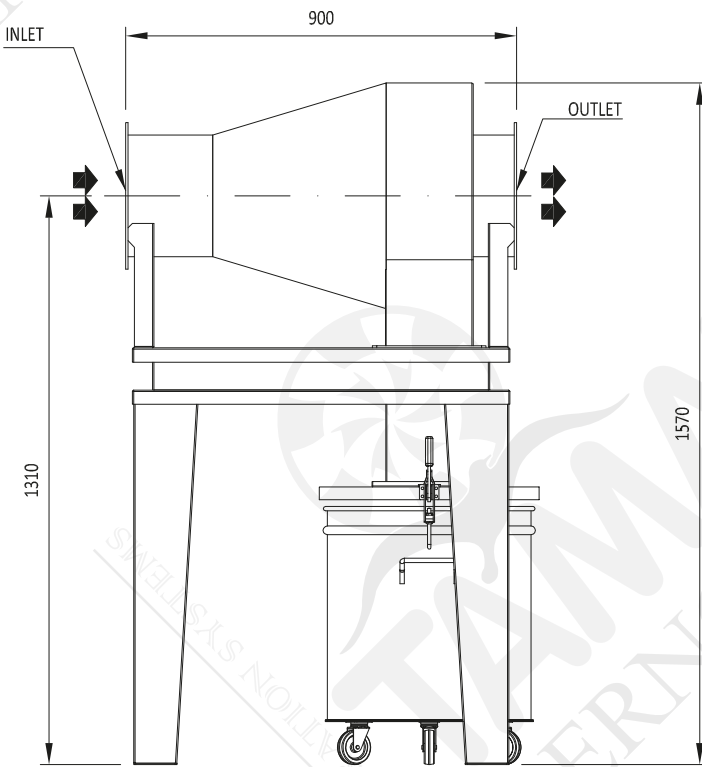


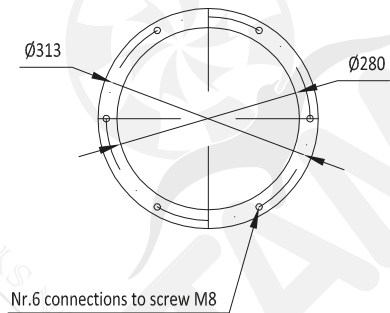
INLET - OUTLET FLANGE DETAIL



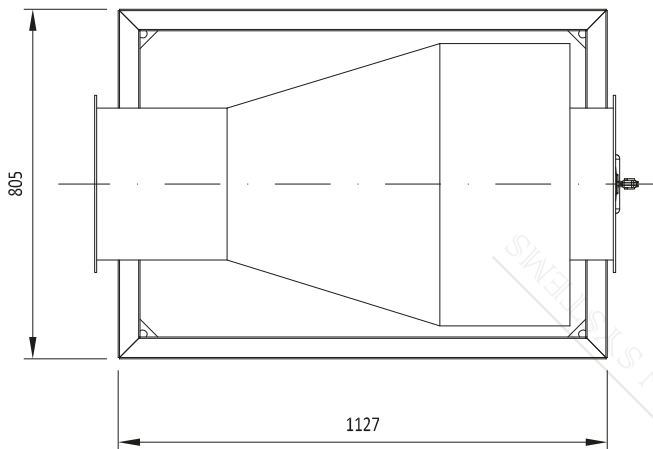
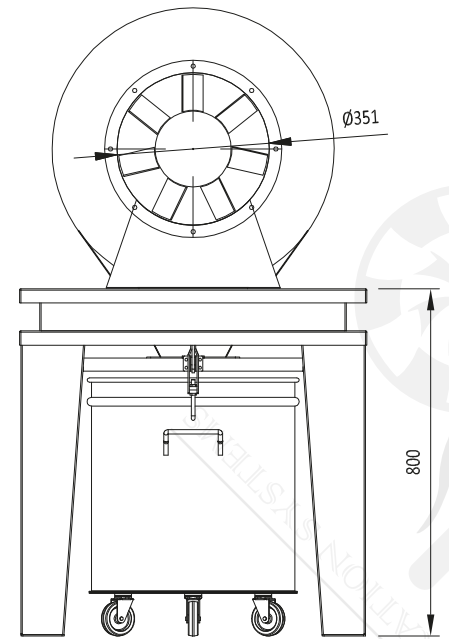
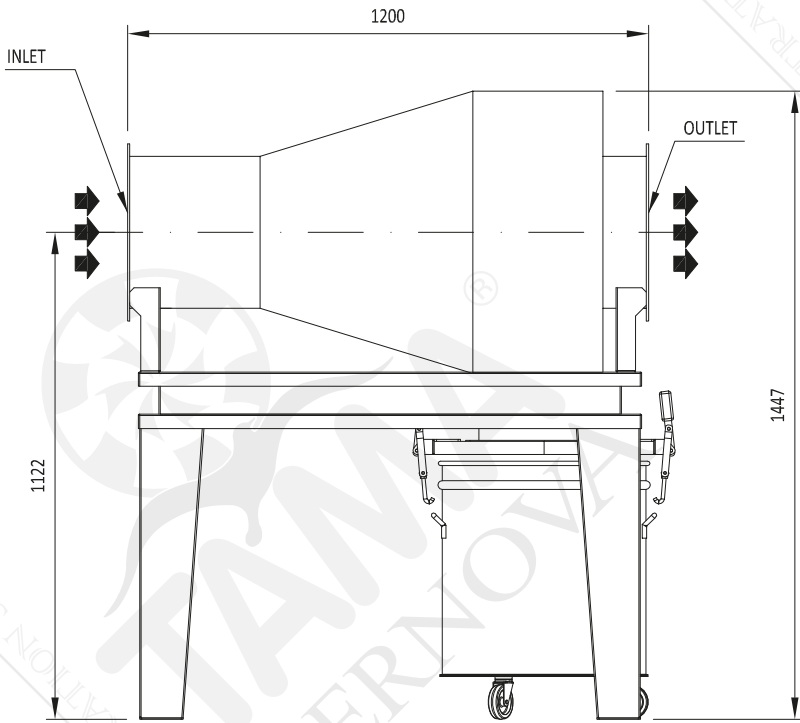
TECHNICAL SPECIFICATIONS		
ITEM	SPARK TRAP 250	
Weight	kg	100
Pressure drop	Pa	700
Working Temperature	°C	-10<T<60
PERFORMANCE CHARACTERISTICS		
Nominal air flow	m ³ /h	3300



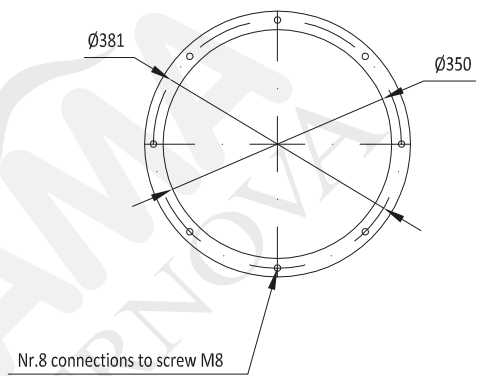
INLET - OUTLET FLANGE DETAIL



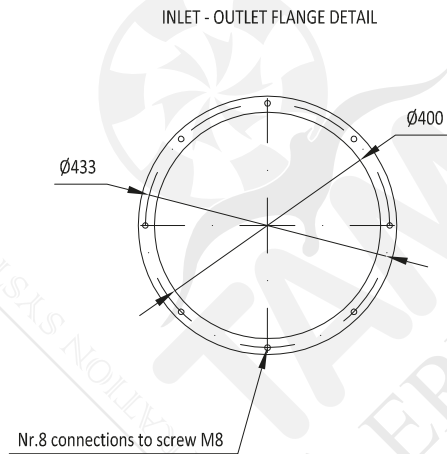
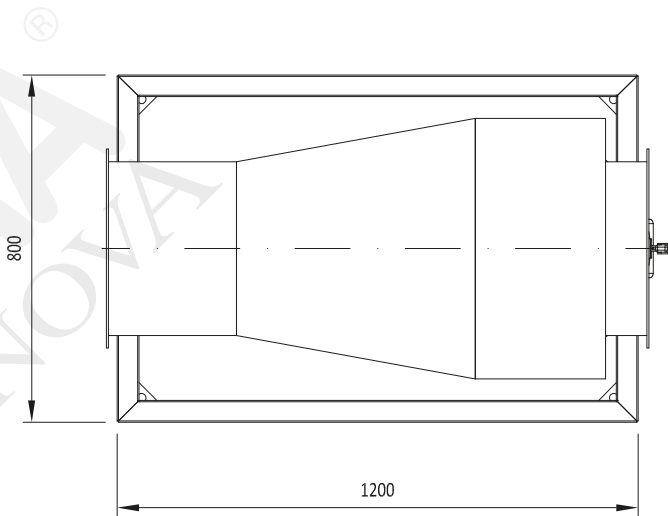
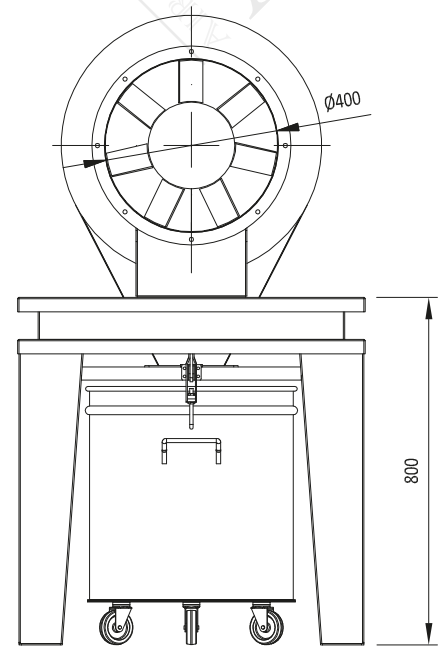
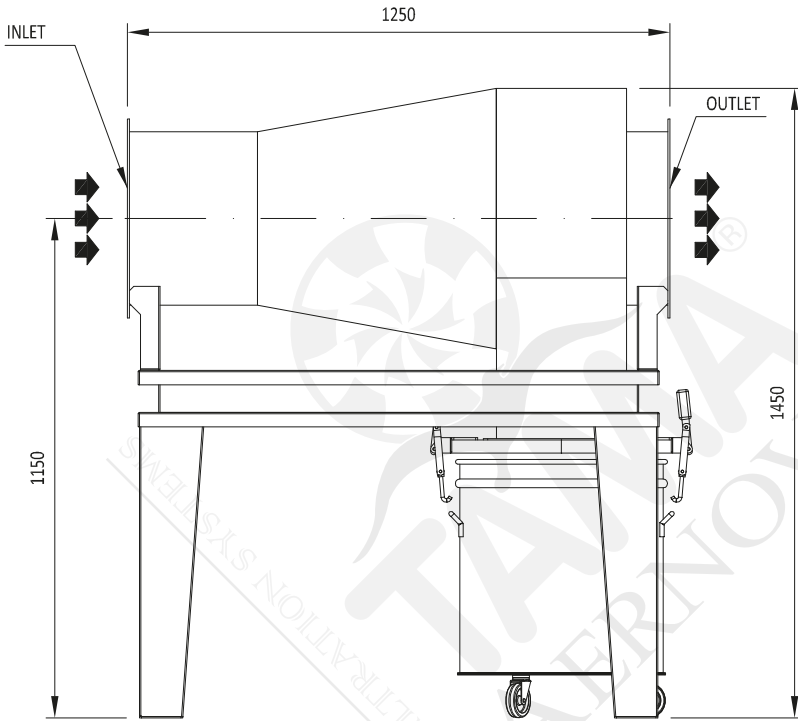
TECHNICAL SPECIFICATIONS		
ITEM	SPARK TRAP 280	
Weight	kg	110
Pressure drop	Pa	700
Working Temperature	°C	-10<T<60
PERFORMANCE CHARACTERISTICS		
Nominal air flow	m ³ /h	4400



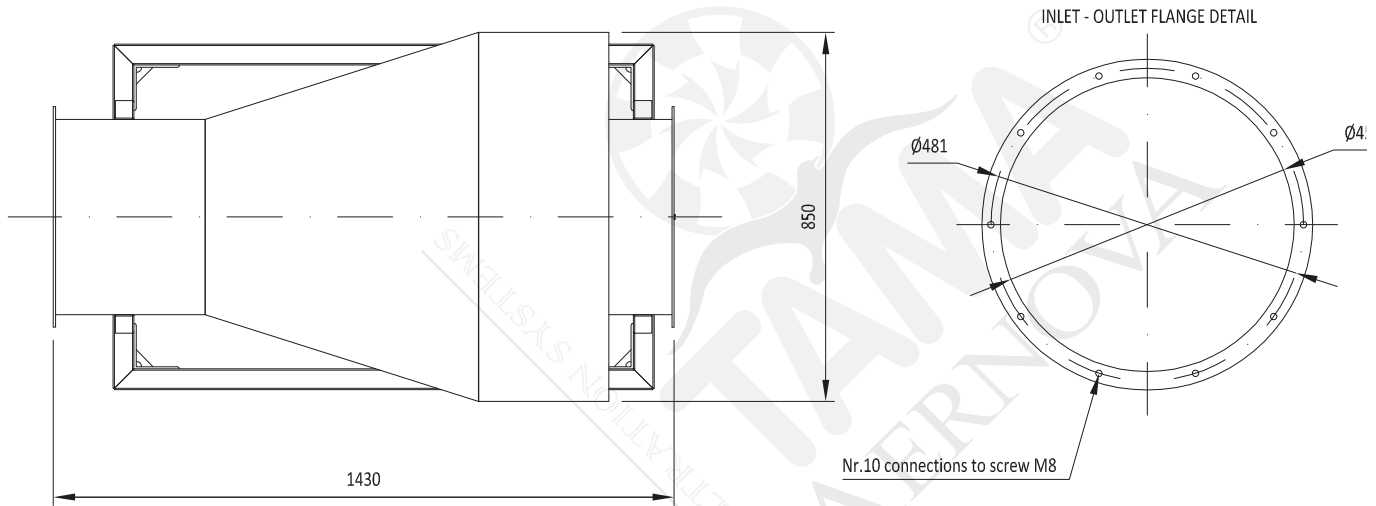
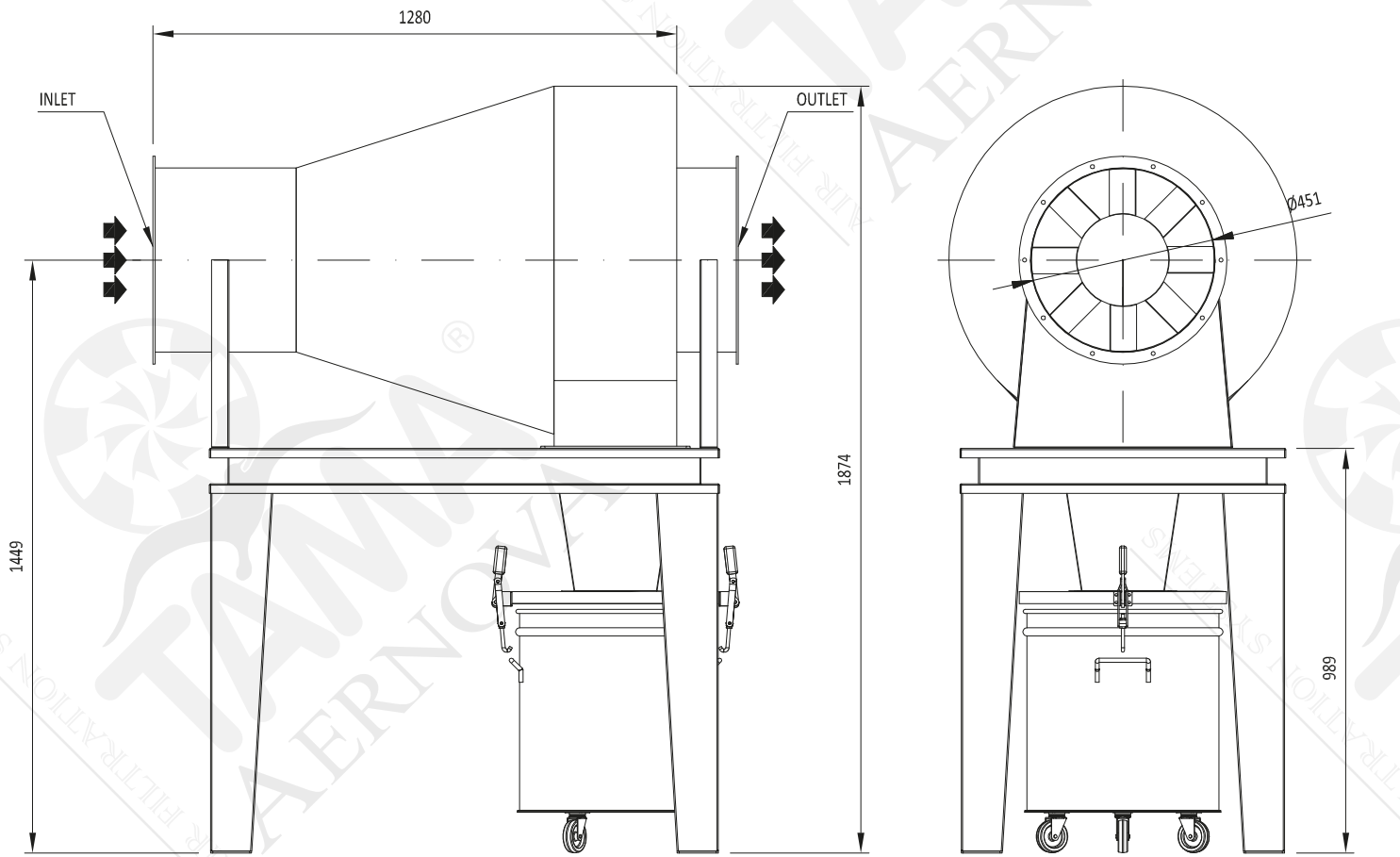
INLET - OUTLET FLANGE DETAIL



TECHNICAL SPECIFICATIONS		
ITEM	SPARK TRAP 350	
Weight	kg	120
Pressure drop	Pa	700
Working Temperature	°C	-10<T<60
PERFORMANCE CHARACTERISTICS		
Nominal air flow	m ³ /h	6600



TECHNICAL SPECIFICATIONS		
ITEM	SPARK TRAP 400	
Weight	kg	120
Pressure drop	Pa	700
Working Temperature	°C	-10<T<60
PERFORMANCE CHARACTERISTICS		
Nominal air flow	m ³ /h	8800



TECHNICAL SPECIFICATIONS		
ITEM	SPARK TRAP 450	
Weight	kg	150
Pressure drop	Pa	700
Working Temperature	°C	-10<T<60
PERFORMANCE CHARACTERISTICS		
Nominal air flow	m³/h	11000